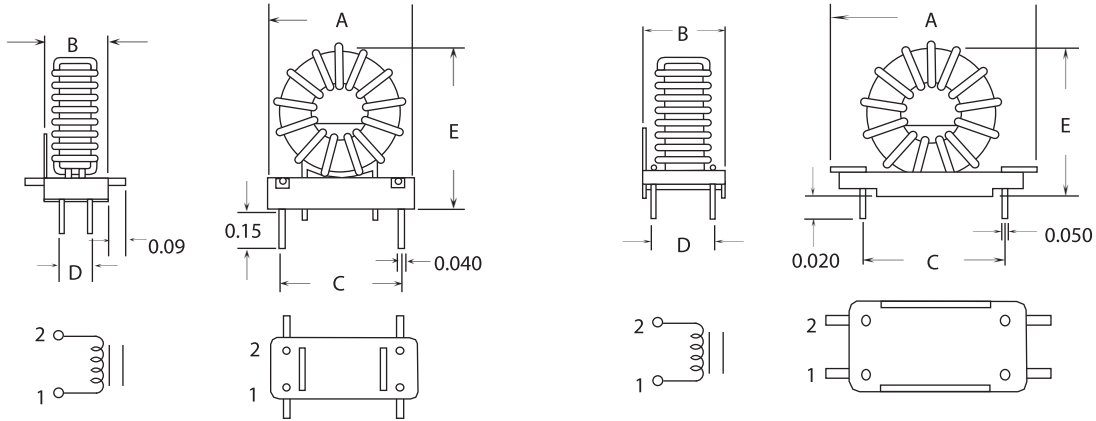


VV-2200 SERIES High Current Toroid Inductors (with header)

RoHS
COMPLIANT

Mechanical Specification



2201-2205 & 2226-2231

2206-2225

Dimensions: Inches

Special Features

- Low radiation
- High current capacity
- High inductance
- Mounted on VW-1 rated header
- Fixed pins for easy PCB insertion
- Operating temperature: -55°C to +105°C

Electrical Specification

VV-2200 SERIES

Part Number	L(μH) ±15% @1KHz	I(A) Max.	L(μH) ±15% @Irated	DCR Ω Max.	Dim. A Max.	Dim. B Max.	Dim. C ±0.015	Dim. D ±0.015	Dim. E Max.
VV-2201	10	11.00	5	0.008	0.875	0.425	0.600	0.250	1.00
VV-2202	20	5.50	12	0.014	0.875	0.425	0.600	0.250	1.00
VV-2203	125	2.75	70	0.12	0.875	0.425	0.600	0.250	1.00
VV-2204	275	2.00	150	0.24	0.875	0.425	0.600	0.250	1.00
VV-2205	450	1.50	250	0.49	0.875	0.425	0.600	0.250	1.00
VV-2206	25	9.00	15	0.012	1.125	0.600	0.800	0.400	1.25
VV-2207	75	5.00	40	0.04	1.125	0.600	0.800	0.400	1.25
VV-2208	400	2.25	225	0.33	1.125	0.600	0.800	0.400	1.25
VV-2209	800	1.75	475	0.64	1.125	0.600	0.800	0.400	1.25
VV-2210	1000	1.50	675	0.98	1.125	0.600	0.800	0.400	1.25
VV-2211	50	9.50	25	0.012	1.250	0.800	0.900	0.600	1.375
VV-2212	150	4.75	85	0.046	1.250	0.800	0.900	0.600	1.375
VV-2213	700	2.25	400	0.42	1.250	0.800	0.900	0.600	1.375

VV-2200 SERIES High Current Toroid Inductors (with header)

RoHS
COMPLIANT

continued from previous page

VV-2200 SERIES

Part Number	L(μH) ±15% @1KHz	I(A) Max.	L(μH) ±15% @I _{rated}	DCR Ω Max.	Dim. A Max.	Dim. B Max.	Dim. C ±0.015	Dim. D ±0.015	Dim. E Max.
VV-2214	1250	1.75	750	0.85	1.250	0.800	0.900	0.600	1.375
VV-2215	1600	1.50	950	1.27	1.250	0.800	0.900	0.600	1.375
VV-2216	125	7.75	65	0.032	1.812	0.900	1.200	0.700	1.95
VV-2217	500	4.00	275	0.15	1.812	0.900	1.200	0.700	1.95
VV-2218	1100	2.50	650	0.33	1.812	0.900	1.200	0.700	1.95
VV-2219	2250	1.75	1350	0.92	1.812	0.900	1.200	0.700	1.95
VV-2220	4500	1.25	2700	2.64	1.812	0.900	1.200	0.700	1.95
VV-2221	250	8.00	125	0.041	2.125	1.100	1.500	0.900	2.25
VV-2222	900	3.75	500	0.175	2.125	1.100	1.500	0.900	2.25
VV-2223	1800	2.50	1000	0.55	2.125	1.100	1.500	0.900	2.25
VV-2224	4000	1.75	2100	1.16	2.125	1.100	1.500	0.900	2.25
VV-2225	8000	1.00	4500	3.34	2.125	1.100	1.500	0.900	2.25
VV-2226	25	2.50	16	0.040	0.550	0.425	0.600	0.250	1.00
VV-2227	35	2.50	29	0.035	0.700	0.425	0.600	0.250	1.00
VV-2228	50	2.50	35	0.060	0.750	0.425	0.600	0.250	1.00
VV-2229	100	2.50	70	0.080	0.850	0.425	0.600	0.250	1.00
VV-2230	70	3.00	50	0.050	0.850	0.425	0.600	0.250	1.00
VV-2231	40	4.00	30	0.025	0.850	0.425	0.600	0.250	1.00